

Eureka Lake

Eureka Lake (in Hilltop Park) is a very small public lake in southwestern St. Louis County. It was constructed as a sediment retention basin, so developed land in the watershed is expected to have an impact on the water quality. This lake is also used for fishing.



Location of Eureka Lake

Descriptive statistics for Eureka Lake – 2005

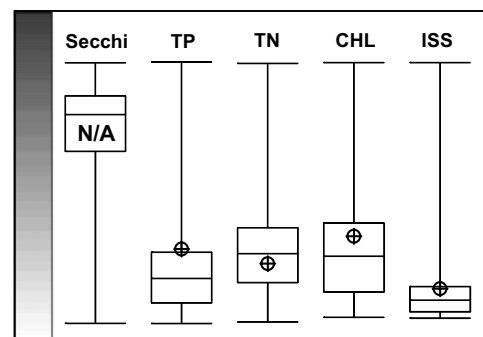
	Secchi (inches)	TP (ug/L)	TN (ug/L)	CHL (ug/L)	ISS (mg/L)
Geometric Mean		61	650	18.6	4.7
Minimum		32	400	16.4	2.5
Maximum		93	870	21.3	9.9
Number of Samples		3	3	3	3

Eureka Lake was only sampled three times during the six-month sample period, so care should be taken when making comparisons to other lakes.

Secchi readings are not available because aquatic plant growth from the bottom of the lake interfered with some transparency measurements.

Mean values from 2005 for the remaining parameters were all within or near the median box for statewide data.

Relative Rank for Eureka Lake



Eureka Lake

Seasonal fluctuations of parameters for Eureka Lake – 2005

